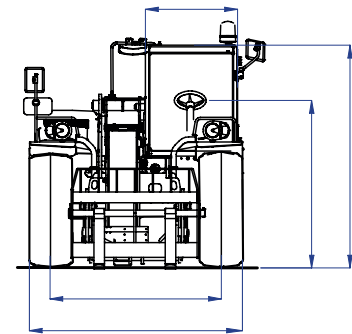
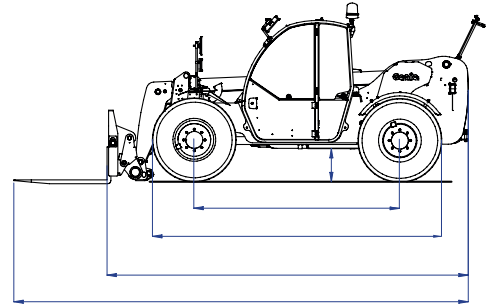


Specifications

| Model | GTH™-3007 | |
|---------------------------------|-----------|------------|
| Measurements | Metric | Imperial |
| Lifting height maximum | 6.89 m | 22 ft 7 in |
| Lifting capacity maximum | 3,000 kg | 6,614 lbs |
| Lift capacity at maximum height | 2,500 kg | 5,511 lbs |
| Lift capacity at maximum reach | 1,000 kg | 2,204 lbs |
| Forward reach maximum | 3.99 m | 13 ft 1 in |
| Reach at maximum height | 76 cm | 2 ft 6 in |

Measurements



Productivity

| | | |
|---------------------------------|------------------------------------|----------------------|
| Inside/outside turning radius | 2.55 m/4.4 m | 8 ft 4 in/14 ft 5 in |
| Break-out force* | 4,270 kg | 9,413 lbs |
| Towing capacity at dynamometer* | 3,100 kg | 6,834 lbs |
| Drive speed max. | 30 km/h | 18.6 mph |
| Fork-holder plate rotation | 128° | |
| Tyres (DIN 70361) | 405/70-20" PR14 8 holes wheel disc | |
| Lifting/lowering speed** | 9 sec./7 sec. | |
| Extension/retraction speed** | 9 sec./5 sec. | |

Power

| | | |
|-------------------------------|--|----------|
| Engine**** | Deutz TD 2.9 L4, 4-cylinder turbo diesel 55.4 kW (74 hp (55.4 kW), stage IIIA Deutz TD 2.9 L4, 4-cylinder turbo diesel 55.4 kW (74 hp), stage V | |
| Transmission | Hydrostatic variable displacement pump linked to variable displacement motor. Both piston type. | |
| Service pumps | Boom & Control system gear pump: 280 Bar, 78 L/min. | |
| Petrol tank capacities | 90 L | 20 gal |
| Engine oil capacities | 8 L | 2.1 gal |
| Hydraulic oil tank capacities | 75 L | 19.8 gal |

Weight*** 5.970 kg 13,161 lbs

Standards Compliance

EU Machinery Directive 2006/42/EC and CEN Rough-Terrain Truck Standard EN 1459-1:2017

Operating cab conforms to ISO3471 (ROPS) and ISO3449 (FOPS)

Low emission engine conforms to EU Directive 97/68/EC Stage III, 2004/26/EC and European Emissions Regulation (EU) 2016/1628 Stage V

Noise emission conforms to EU Directive 2000/14/EC (LpA=83 dB, LwA=103dB)

Vibration levels according to EN13059:2002 (hand-arm <2.5m/s², whole body 0.44m/s²)

* with 800 L shovel SAE J 732/80

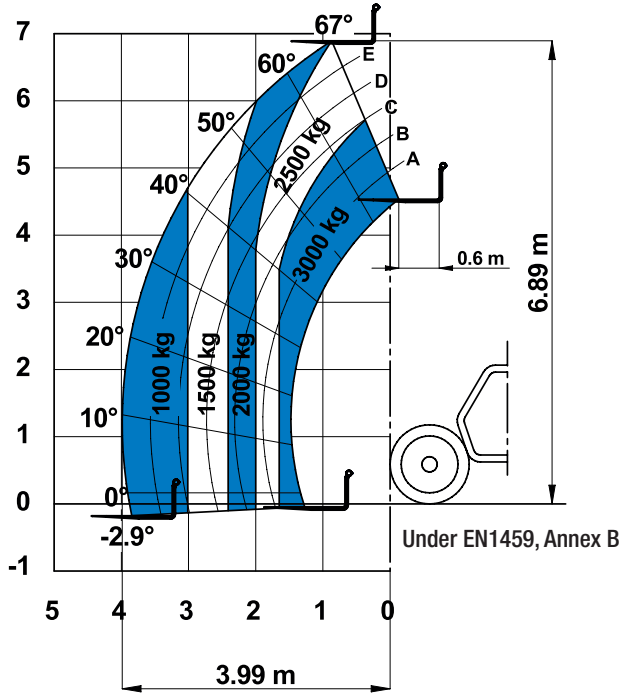
** Without load

*** Weight will vary depending on options and/or country standards

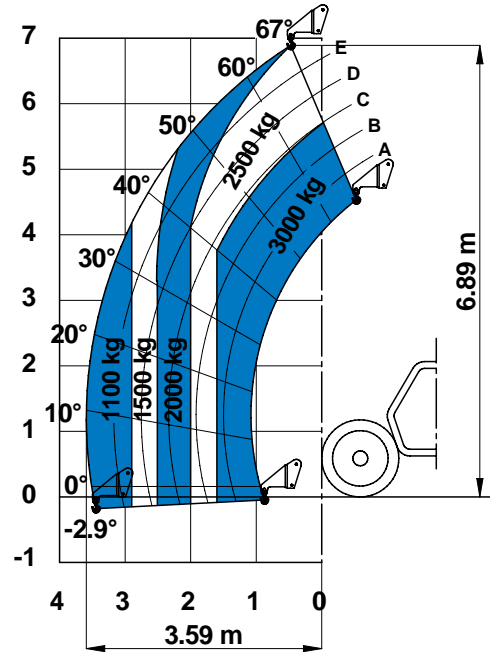
**** Stage IIIA is not CE certified

Load Charts

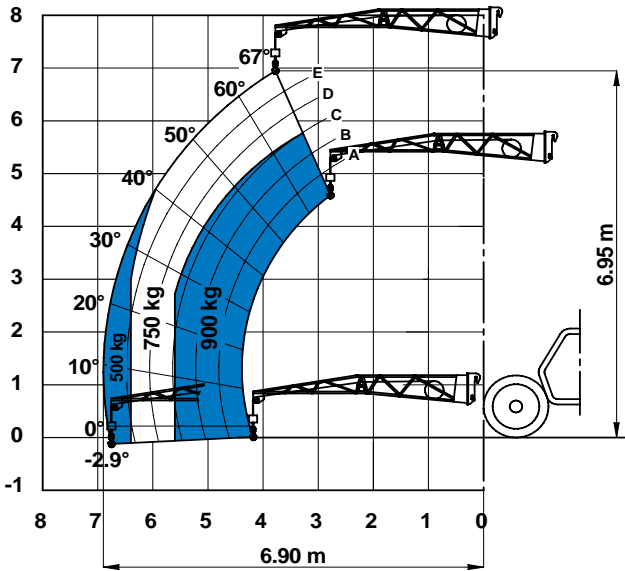
On wheels with forks



On wheels with hook

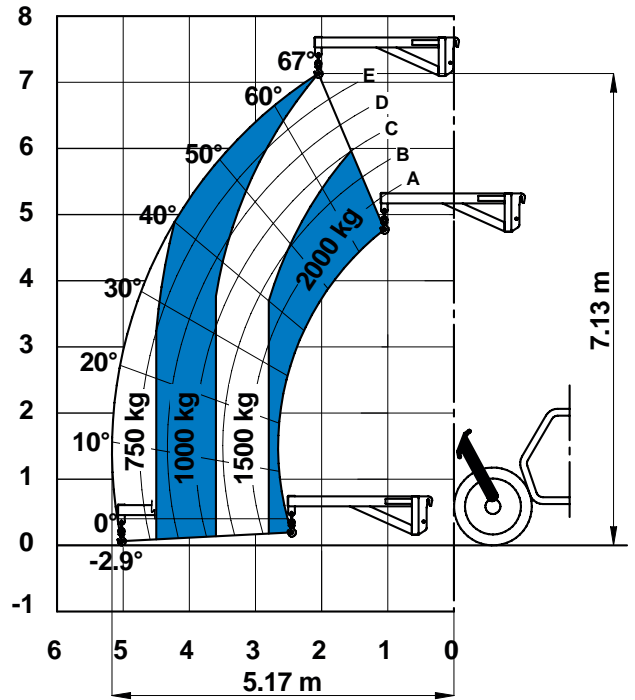


On wheels with 4m jib



Under EN1459, Annex B

On wheels with 2m jib



Features

Standard Features

Measurements

- 3,000 kg (6,614 lb) maximum lift capacity
- 6.89 m (22 ft 7 in) maximum lift height
- 3.99 m (13 ft 1 in) maximum forward reach

Productivity

- 4 Wheel Drive
- 4 Wheel Steer
- 3 Steering Modes: Front, Crab, Coordinated
- Power Assisted Steering
- Hydrostatic Transmission
- Limited Slip Differential on Front Axle
- Oil immersed Multi-disc brakes on front axle

Chassis & Tyres

- Side-mounted Engine for Easy Access and Maintenance
- Towing Hook
- Maintenance Collar
- Front & Rear Lights
- Two side view and rear fish eye mirrors
- Lockable fuel tank

Cabin

- Electro-proportional 4x1 Joystick
- Two-section door (glass upper/steel lower)
- Adjustable suspended seat
- Adjustable steering wheel
- Front & rear windscreen wipers
- Sunshield
- Roof protection grid
- Battery disconnection switch
- Self activated parking brake hydraulically released
- Road/jobsite switch
- Longitudinal stability control system with display and audible alarm, lock out of boom extension
- Use and Maintenance Handbook

Standard Features

Boom

- Main hydraulic line on boom
- Attachment holder plate with mechanical coupling
- Angle and length indicators on boom

Power

- Deutz diesel 55.4 kW (74 hp), stage IIIA
- Deutz diesel 55.4 kW (74 hp), stage V

Tyres

- Air filled rough terrain tyres, 405/70-20" PR14. 8 holes wheel disc (DIN 70361)

Options & Accessories

Productivity

- Air conditioning
- Hydraulic inching by service brake pedal action
- Main electrical line on boom
- Additional hydraulic line on boom
- Hydraulic quick coupling for attachments
- Adjustable LED spotlights - on boom ⁽¹⁾ and cabin ⁽²⁾
- Windshield protection grid
- Wiper on cab roof
- 6 t towing hook
- Rear wheel alignment system
- Biodegradable hydraulic oil
- 10 t hydraulic jack + 24 mm box wrench
- Winter fuel -22°C
- Low temperature hydraulic oil

Tyres and Wheels

- Spare wheel 405/70-20" PR14

Attachments

- Floating forks L 1200 mm, section 100x50 mm
- FEM 3 plate and forks kit
- FEM 3 forks with hydraulic side-shift (+/-100 mm)
- 500/800 L loading shovel
- 500 L concrete bucket (manual or hydraulic discharge)
- 250 L concrete mixing bucket (full hydraulic)
- Brick-holder basket
- Fixed hook on plate
- 2 m mechanical extension jib, 2,000 kg capacity
- 4 m mechanical extension jib, 900 kg capacity



⁽¹⁾ Factory-fit option only
⁽²⁾ Aftermarket only

Europe, Middle East, Africa and Russia Region

United Kingdom and Europe, T: +44 800 988 3799 (toll free) or +31 165 519 349

Middle East, Southern Africa, Russia and Turkey, T: +971 4 399 0381

Visit www.genielift.com/en-gb/about-genie/locations to view our global locations list

Worldwide Manufacturing And Distribution

Australia · Brazil · Caribbean · Central America · China · France · Germany · Italy · Japan · Korea · Mexico · Russia · Southeast Asia · Spain · Sweden · United Arab Emirates · United Kingdom · United States

Product specifications and prices are subject to change without notice or obligation. The photographs and/or drawings in this document are for illustrative purposes only. Refer to the appropriate Operator's Manual for instructions on the proper use of this equipment. Failure to follow the appropriate Operator's Manual when using our equipment or to otherwise act irresponsibly may result in serious injury or death. The only warranty applicable to our equipment is the standard written warranty applicable to the particular product and sale and we make no other warranty, express or implied. Products and services listed may be trademarks, service marks or trade names of Terex Corporation and/or their subsidiaries in the USA and many other countries. Genie is a registered trademark of Terex South Dakota, Inc. © 2020 Terex Corporation.

