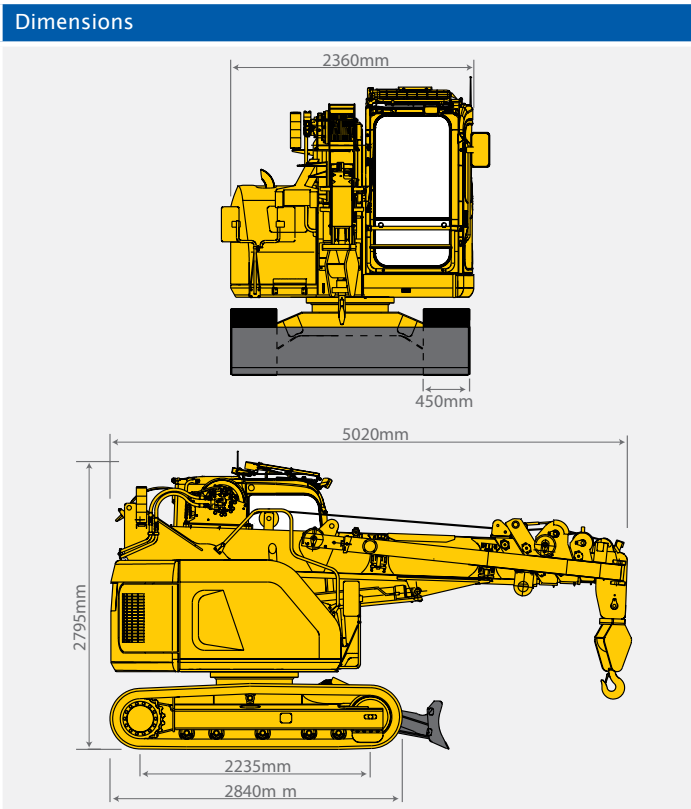




LC785-8B Crawler Crane

Specifications		
Capacity	Maximum	4.9t x 2.1m
Working Radius	Maximum	14.52m x 200kg
Lifting Height	Maximum	16.35m x 1400kg (20.3m x 430kg with Fly-Jib)
Dimensions	LC785B	5020mm x 2360mm x 2795mm
Weight	LC785B	10250kg (10420kg with Fly-Jib)
	Hook Block Weight	90kg
Hook Speed	Two Speed	29/43m / min (4 falls, 4th layer)
Single Line Speed	Two Speed	116/172m / min (4th layer)
Hoist Rope	Type	IWRC 6 x Fi (29) Ø 10mm x 115m
Telescopic System	Boom length	4.63m - 15.63m
	Telescoping speed	11m / 25 sec.
	Boom type	Fully automatic 5 section pentagonal telescopic boom
Boom Hoist System	Hoist angle / speed	-2° to 80° / 13.5 sec.
Slew System	Slew angle / speed	360° continuous / 2.2 rpm
Drive	Type	Independent steering controls, hydraulic piston motor with built-in automatic brake, planet reduction gears, sprocket and crawler.
	Traction Speed	Low 0 - 2.5km/h High 0 - 4.5km/h
Ground pressure	Gradability	20°
	Ground length x width	2235mm x 450mm (Track dimensions)
	Ground pressure	0.51 kgf / cm ² (0.52 kgf / cm ² with Fly-Jib)
Engine	Model	Komatsu SAA4D95LE-5
	Type	4 cylinder diesel, water cooled, direct injection
	Rated output	42.8 kW / 1950 rpm
	Starting method	Electric
	Fuel tank capacity	Diesel / 140L
Standard Equipment	Moment limiter, steel tracks, overwind protection, hydraulic safety valves, level, EMO switch, LED working status lamp, air conditioning, 4-fall / 2-fall hook block, working light, hour-meter, tilt alarm, data logger, blade with interlock system.	
Optional Equipment	Single fall hook block, rubber pads (black or white), fly-jib.	

Maximum Reach Below Ground Level		
Four Fall	Two Fall	Single Fall
25.6m	52.0m	104.0m



Total rated load									
4.63m boom		7.38m boom		10.13m boom		12.88m boom		15.63m boom	
Working radius (m)	Total rated load (kg)	Working radius (m)	Total rated load (kg)	Working radius (m)	Total rated load (kg)	Working radius (m)	Total rated load (kg)	Working radius (m)	Total rated load (kg)
2	4900	2	4900	2	2600	2	2000	2	1400
2.5	3800	2.5	3760	2.5	2600	2.5	2000	2.5	1400
3	2900	3	2980	3	2310	3	2000	3	1400
3.5	2290	3.5	2420	3.5	2010	3.5	1890	3.5	1400
		4	2000	4	1750	4	1650	4	1400
		4.5	1670	4.5	1530	4.5	1450	4.5	1320
		5	1400	5	1340	5	1250	5	1200
		6	1000	6	1030	6	1010	6	990
				7	780	7	800	7	820
				8	580	8	630	8	680
				9	410	9	500	9	560
						10	390	10	450
						11	300	11	360
								12	280
								13	210
								14	200
								14.52	200

Pick & Carry Duties					
4.63m boom		7.38m boom		10.13m boom	
Working radius (m)	Total rated load (kg)	Working radius (m)	Total rated load (kg)	Working radius (m)	Total rated load (kg)
2	2000	2	2000	2	1400
2.5	2000	2.5	2000	2.5	1400
3	1670	3	1700	3	1360
3.5	1330	3.5	1380	3.5	1170
		4	1140	4	1020
		4.5	960	4.5	890
		5	810	5	770
		5.5	690	5.5	680
		6	590	6	590
		6.27	540	6.27	550
				6.5	510
				7	440
				7.5	380
				8	320
				8.5	270
				9	230
				9.02	230

Pick & Carry duties are available at boom lengths up to 10.13 metres.

The Total Rated Load Charts are based on the actual working radius including boom deflection. The weight of the hook (standard 4 fall - 90kg) must be included as part of the load shown in the Total Rated Load Charts.

When using two fall or single fall hooks, use the appropriate four fall Total Rated Load Chart above but with a **maximum load** of: Two Fall - 2450kg, Single Fall - 1220kg.

