



5085

Product



The down-to-earth performer

The new 5 Series models feature simple operation, compact design, and manoeuvrability. Even in the economy class, the rigid frame and all-wheel steering provide all the Kramer benefits such as constant payload, stability, and manoeuvrability.

- Undivided frame and all-wheel steering for constant payload and manoeuvrability
- The 5085T features a hydraulic quick-hitch system and a parallel loading system as well as Z-kinematics.
- Spacious newly developed cab with superb all-round visibility
- Efficient high-pressure drive system for low operating costs and high thrusting force
- Diverse options provide versatility



Technical specifications

Operating data

Bucket capacity (standard bucket)	0,85 m ³
Operating weight	4.450 kg

Engine / Motor

Engine / Motor manufacturer	Kohler
Engine performance	55,4 kW
Emission standards stage (standard)	IIIB

Power transmission

Traction drive	Continuously variable, hydrostatic axial piston transmission
Travel speed	20 km/h
Standard tires	12.5–18
Differential lock	Self-locking differential
Max. steering angle	2x40 °

Steering and operating hydraulics

Max. pump discharge capacity	70 l/min
Max. pump pressure	240 bar

Kinematics

Design system	P-kinematics
Tipping load (with standard bucket)	3.650 kg
Payload (S = 1.25)	2.150 kg
Tilt-in angle	50 °
Tip-out angle	45 °

Filling capacities

Fuel tank	75 l
Hydraulic oil tank	64 l

Sound emission

Measured value	100 dB(A)
Guaranteed value	101 dB(A)
Noise level at the driver's ear	78 dB(A)

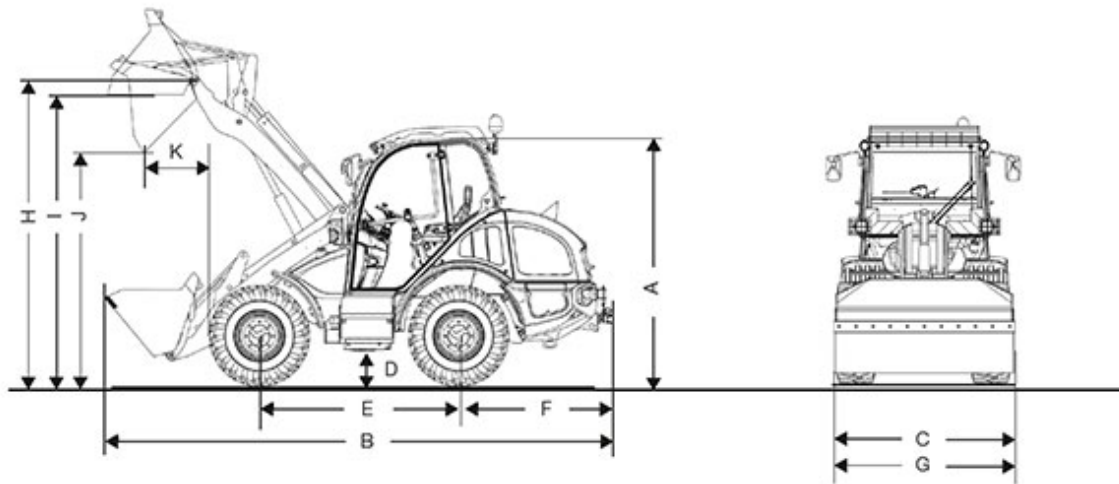
Vibrations

Total vibrations value of the upper body extremities	< 2,5 m/s ²
Highest effective value of weighted acceleration for the body	< 0,5 m/s ²

Additional technical data is available in the detailed brochure within the information section



Dimensions



A	Height	2.450 mm
B	Length	5.280 mm
C	Width	1.720 mm
D	Ground clearance	300 mm
E	Wheelbase	2.020 mm
	Center of front axle to tip of teeth	1.770 mm
F	Center of rear axle to end of vehicle	1.490 mm
G	Bucket width	1.850 mm
H	Bucket pivot point	3.260 mm
I	Overhead loading height	3.110 mm



J	Dumping height	2.530 mm
K	Dump reach	635 mm
	Stack height	3.010 mm
	Turning radius (above tyres)	2.840 mm

Alle Angaben wurden mit folgender Bereifung ermittelt: 28 x 9.00 – 15

Please note

that product availability can vary from country to country. It is possible that information / products may not be available in your country. More detailed information on engine power can be found in the operator's manual; the stated power may vary due to specific operating conditions.

Subject to alterations and errors excepted. Applicable also to illustrations.

Copyright © 2017 Kramer-Werke GmbH.